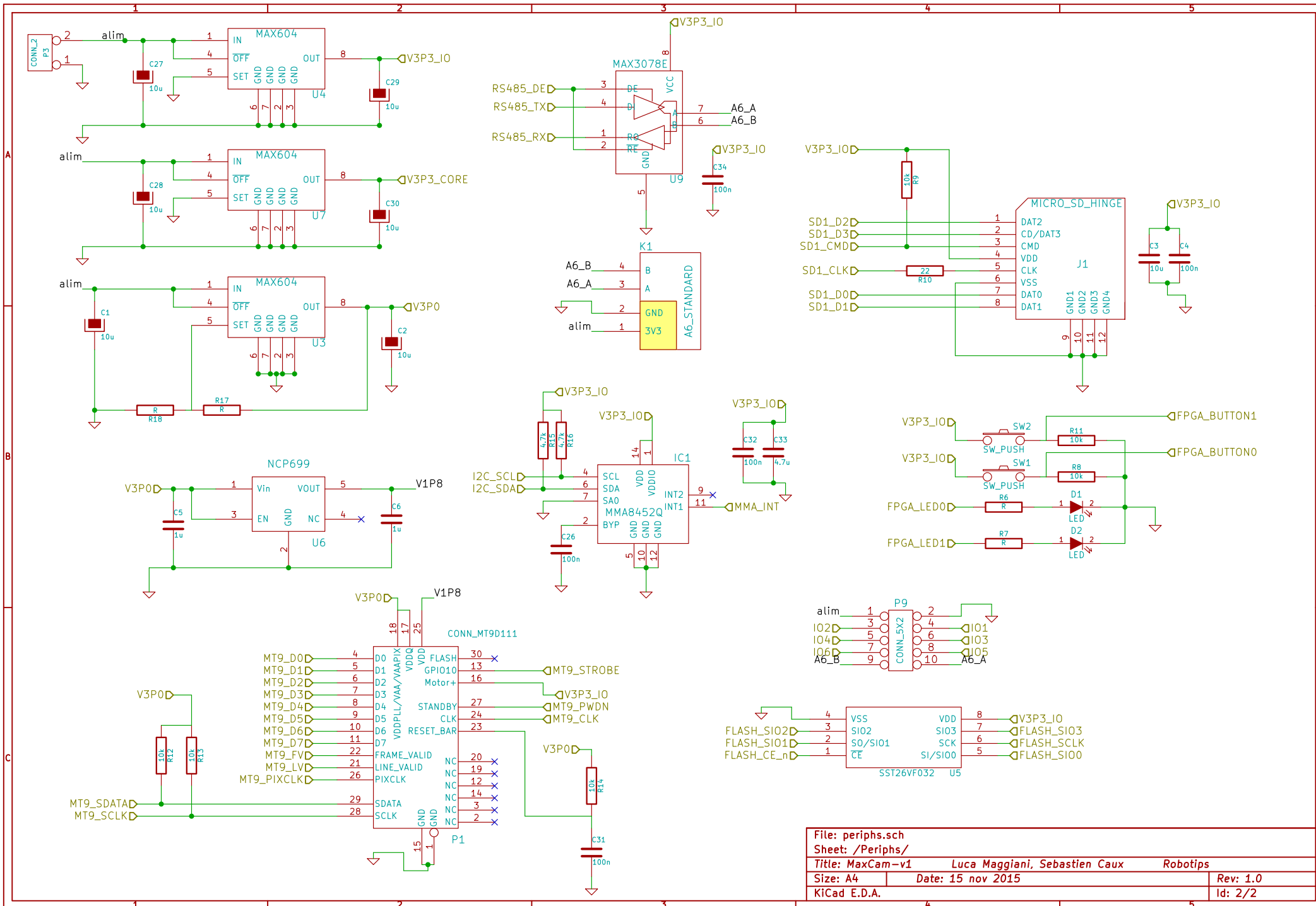


File: board1.sch			
Sheet: /			
Title: MaxCam-v1	Luca Maggiani, Sebastien Caux	Robotips	
Size: A4	Date: 15 nov 2015	Rev: 1.0	
KiCad E.D.A.		Id: 1/2	



File: periphs.sch			
Sheet: /Periphs/			
Title: MaxCam-v1		Luca Maggiani, Sebastien Caux	
Size: A4		Date: 15 nov 2015	
KiCad E.D.A.		Rev: 1.0	
		Id: 2/2	