

Robotips, Sébastien CAUX

Sheet: /

File: mother_board_1.1.sch

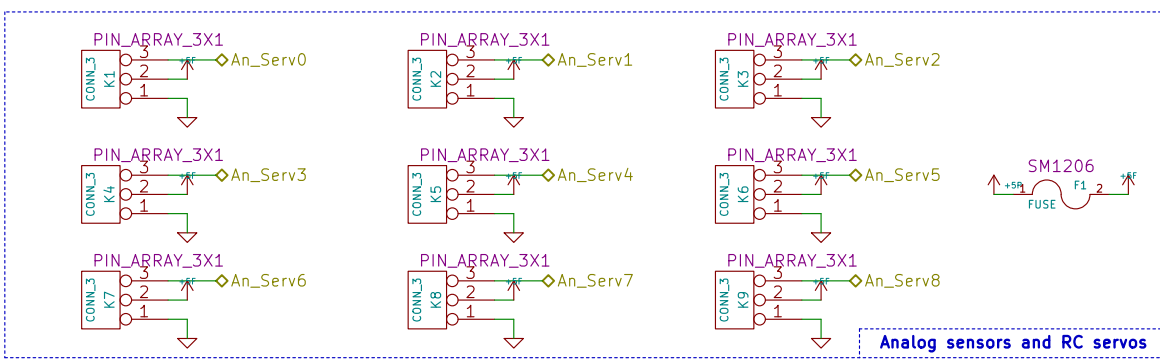
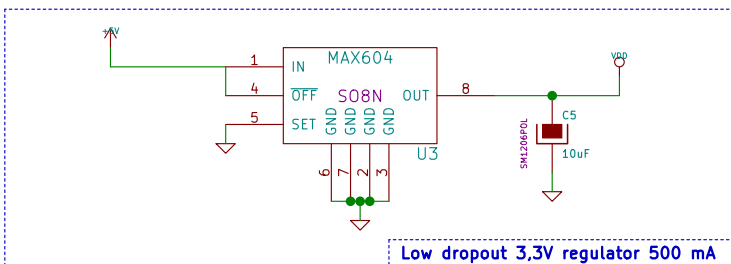
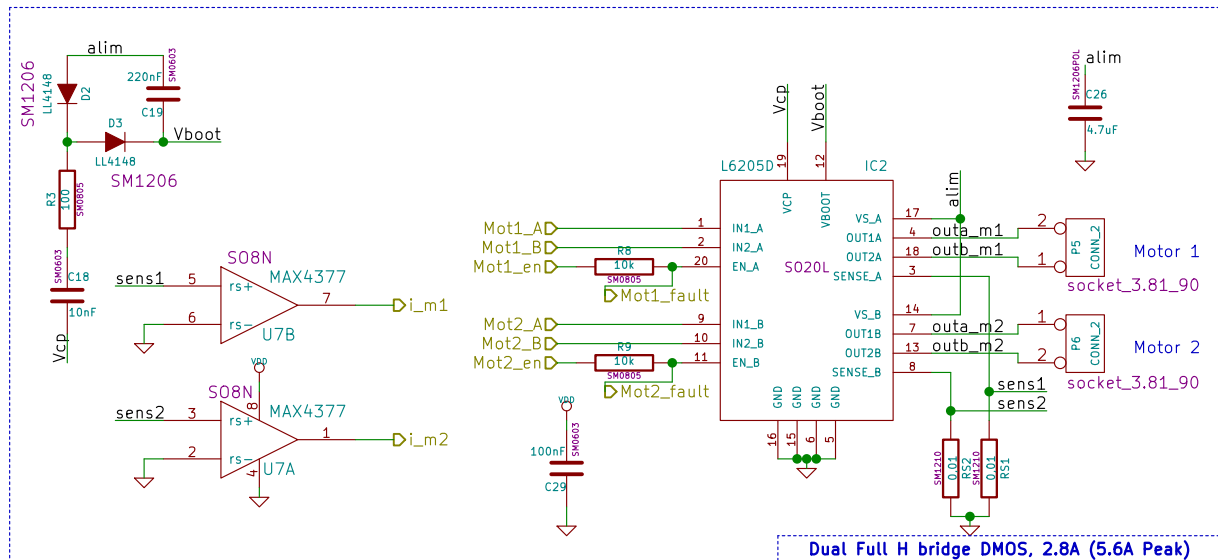
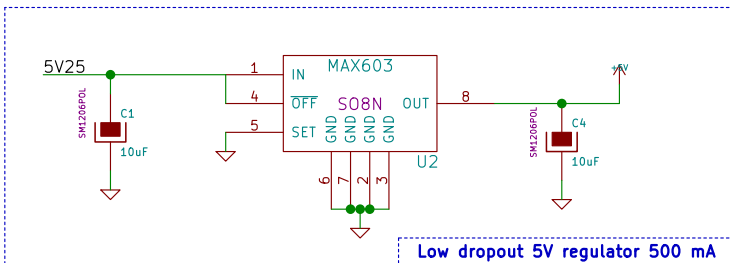
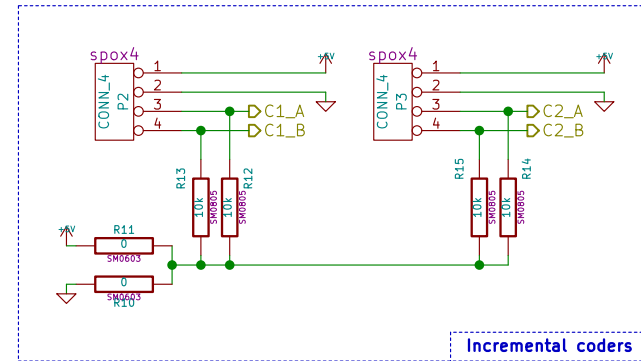
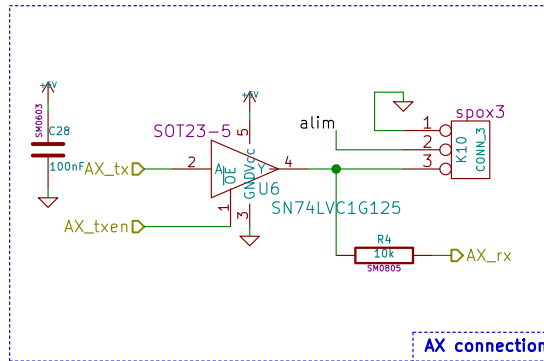
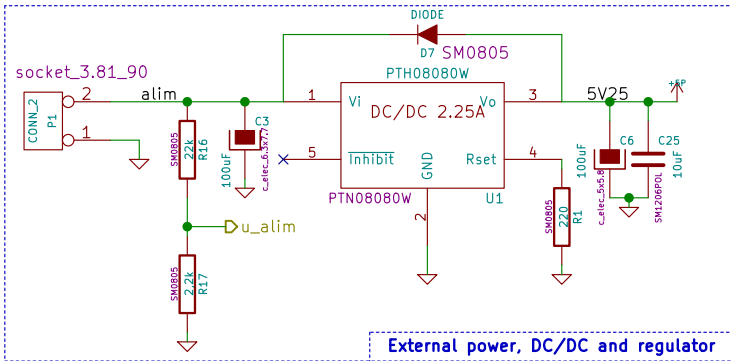
Title: RTBoard

Size: A4 Date: 2 sep 2016

KiCad E.D.A. eeschema 4.0.4-stable

Rev: 1.1

Id: 1/2



Robotips, Sébastien CAUX		
Sheet: /power_motors/ File: power_motors.sch		
Title: RTBoard		Rev: 1.1
Size: A4	Date: 2 sep 2016	
KiCad E.D.A. eschema 4.0.4-stable		
		Id: 2/2